



FOR NEW EQUIPMENT SALES, CALL
866.966.2969
TO SPEAK WITH AN ALTEC REPRESENTATIVE
or visit us online at altec.com

 **Altec**
DUAL-RATED SOLUTION

STANDARD FEATURES

- Altec LMAP (Load Moment & Area Protection) System
 - » Rated Capacity Limiter
 - » Displays: Boom Length, Boom Angle, Load on Hook, Percent of Rated Capacity
 - » Operator Defined Audible Alarm Set-Points for Boom Angle, Length and Rotational Position
- Dual Entry 20° Tilt Cab with Heater and A/C
- Outrigger Boom Interlock System
- Outrigger Motion Alarm
- Winch Drum Rotation Indicator
- Anti-Two Block Device
- Rotation Resistant Wire Rope
- Winch Control at Load Hook Stow Point
- Hydraulic Oil Cooling System

OPTIONS

- ANSI A92.2 Compliant Aerial Operation Package
 - » Quick Attach 2-Man Platform, 1,200 lb (544.3 kg) capacity
 - » Radio Remote Controls
 - » Fall Protection
- 2-Piece 49 ft (14.9 m) Jib, 28 ft (8.5 m) Retracted
- Composite Reach Extension, 6 ft (1.8 m) Fixed

Recommended safety equipment, available through Altec Supply, include wheel chocks and outrigger pads.

GENERAL SPECIFICATIONS

Boom Length (6-Section)	152 ft (46.3 m)
Stowed Travel Height	13.16 ft (4.01 m)
Vehicle Travel Length	40 ft (12.19 m)
2 Position Out-and-Down Outriggers	
Full Span	24 ft (7.3 m)
Mid Span	17.9 ft (5.4 m)
Control System	Pilot-Operated, Hydraulic

CRANE SPECIFICATIONS

Maximum Lift Capacity	80,000 lb (36,287.4 kg)
Powered Sheave Height	161 ft (49.1 m)
Maximum Sheave Height with Telescopic Jib	207 ft (63.1 m)
Two Speed Winch Capacity	15,000 lb (6,803 kg)

ASME B30.5 Compliant

AERIAL SPECIFICATIONS

Platform Capacity	1,200 lb (544.3 kg)
Platform Working Height	167.4 ft (51 m)
with Telescopic Jib	215.1 ft (65.6 m)
with Telescopic Jib and Composite Reach Extension	222 ft (67.7 m)

ANSI A92.2 Compliant

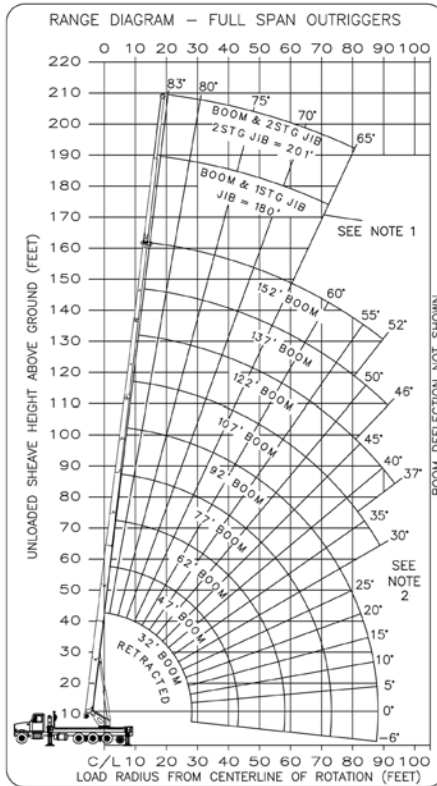
UNIT		RECOMMENDED CHASSIS DIM					MINIMUM RECOMMENDED CHASSIS SPECIFICATIONS				
Model	Rear Axle	CA (in)	WB (in)	AF (in)	AS (in)	Rear Axle to Tag Spread	Front Axle Rating (lb)	Rear Axle Rating (lb)	GVWR (lb)	Frame Sec Modulus (in ³)	Frame RBM (in-lb)
AC40-152S	Tri with tag axle	186	273	165	110	50	20,000	66,000	86,000	consult factory	



LOAD MOMENT AND AREA PROTECTION

The convenient LMAP menu navigation with an intuitive user interface displays load on hook, rated capacity percentage, boom length and angle, load radius, and operator-defined protection with audible alarms. While this feature is unique to Altec, the system's hardware consists of common "off-the-shelf" components that were critically selected for their performance and serviceability.

LOAD CHART - FULL SPAN OUTRIGGERS

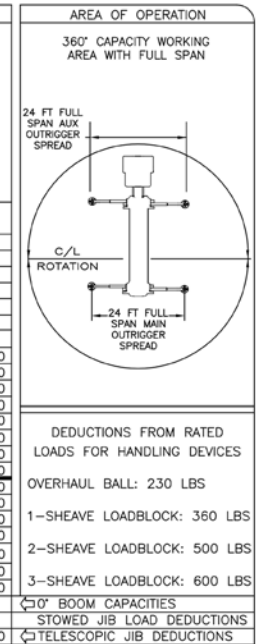


BOOM LOAD CAPACITIES IN LBS. WITH FULL SPAN OUTRIGGERS (24 FT)

LOAD RADIUS (FT)	32 FT BOOM		47 FT BOOM		62 FT BOOM		77 FT BOOM		92 FT BOOM		107 FT BOOM		122 FT BOOM		137 FT BOOM		152 FT BOOM	
	∠	LBS	∠	LBS	∠	LBS	∠	LBS	∠	LBS	∠	LBS	∠	LBS	∠	LBS	∠	LBS
7	72	80000	78	21100	81	21000												
8	70	75000	76	21100	80	21000												
10	66	66500	74	21100	78	21000	80	20900										
12	62	58550	71	21100	76	21000	79	20900	81	20800								
15	56	47700	67	21100	73	21000	77	20900	79	20800	82	17200						
20	43	29350	60	21100	68	21000	73	20900	76	20800	79	17200	81	14100	82	10000		
25	27	18050	53	21100	63	21000	69	20900	73	20400	76	15700	78	14100	80	10000	81	8000
30			44	18600	58	19100	65	19400	70	18900	74	13800	76	13000	78	10000	79	8000
35			34	14600	52	15200	61	15500	66	15700	71	11800	74	10800	76	10000	78	8000
40			20	11800	45	12400	56	12700	63	12800	68	10600	71	9900	74	9450	76	8000
45			38	10100	51	10400	59	10600	65	9600	69	9000	72	8500	74	8000		
50			31	8250	47	8600	56	8800	62	8800	66	8200	70	7650	73	7050		
55			19	6700	41	7100	52	7300	59	7400	63	7300	67	6650	70	6050		
60					35	5500	47	5800	55	6000	61	6100	65	5800	68	5250		
65					28	4200	43	4500	52	4700	58	4800	62	4900	66	4550		
70					17	3200	38	3500	48	3600	55	3800	60	3900	64	3900		
75							32	2600	44	2800	51	2900	57	3000	61	3100		
80							25	1900	40	2100	48	2200	54	2300	59	2300		
85							16	1200	35	1400	45	1600	51	1600	57	1700		
90									30	900	41	1000	49	1100	54	1200		
95											37	600	46	600	52	700		
0		9400	0	8000	0	4700	0	2500	0	800								
		1130		790		600		480		400		350		300		270		240

NOTE: RATINGS ABOVE THE HEAVY LINE ARE BASED ON STRUCTURAL COMPETENCE AND NOT ON MACHINE STABILITY

SEE NOTE 2



JIB LOAD CAPACITIES (LBS) FOR ALL BOOM LENGTHS. JIB CAPACITIES ARE FOR FULL SPAN OUTRIGGERS (24 FT)

TELESCOPING	LOADED BOOM ANGLE				
	65°*	70°	75°	80°	83°
RETRACTED 28 FT JIB	1700	3100	4000	4000	4000
EXTENDED 49 FT JIB	1400	2600	2600	2600	2600

* DO NOT OPERATE JIBS BELOW THIS ANGLE UNLESS BOOM IS FULLY RETRACTED. SEE NOTE 1.

970450609-B (SHEET 1)

Note 1: When jib is erected, boom must be fully retracted before lowering below minimum boom with jib angles. Retracted boom with jib has no lifting capacity below a 50 degree angle with full span outriggers and below a 65 degree angle not shown on jib load rating chart.

Note 2: Do not lower boom into this area, instability may occur. Hydraulic pressure may not allow raising the boom without retracting boom first.

Charts published herein are intended to be a guide only and should not be construed to warrant application for lifting purposes. Consult supplied operation manual for further details.



QUICK ATTACH PLATFORM FOR AERIAL OPERATION

Altec's patent-pending quick attach platform reduces the overall time required to install the platform on uneven ground. The platform interfaces with the light-weight bracket that seamlessly interfaces and secures to the main boom, the end of the jib, or to the optional composite reach extension. Once the platform is in position on the ground and the bracket is attached to either of the above listed locations, the operator can simply extend the boom until the bracket engages the platform. The last step only requires a member of the ground-crew to quickly engage the spring-loaded, high visibility pins.

LONGER OUTRIGGER JACK CYLINDERS

Longer outrigger jack cylinders boost ground clearance, reduce the need to transport cribbing, free up deck space, minimize setup time, and reduce overall setup effort.



DUAL ENTRY CAB

Altec's dual entry cab provides safe access/egress throughout the entire range of rotation. The 20 degree tilt feature maximizes the viewing spectrum on the job site.



COMPOSITE REACH EXTENSION*

The feature provides an additional layer of protection for aerial workers when working de-energized lines in close proximity to energized lines, reducing the risk of electric-field induction hazards.



* This extension is rated as non-insulated and not intended for energized work.



866-966-2969
sales@altec.com

AIOSAC40152S-0115-v1-r5

210 Inverness Center Drive
Birmingham, AL 35242
Fax 205.449.4774
www.altec.com

For more complete information on Altec products and services, visit us on the web at www.altec.com.

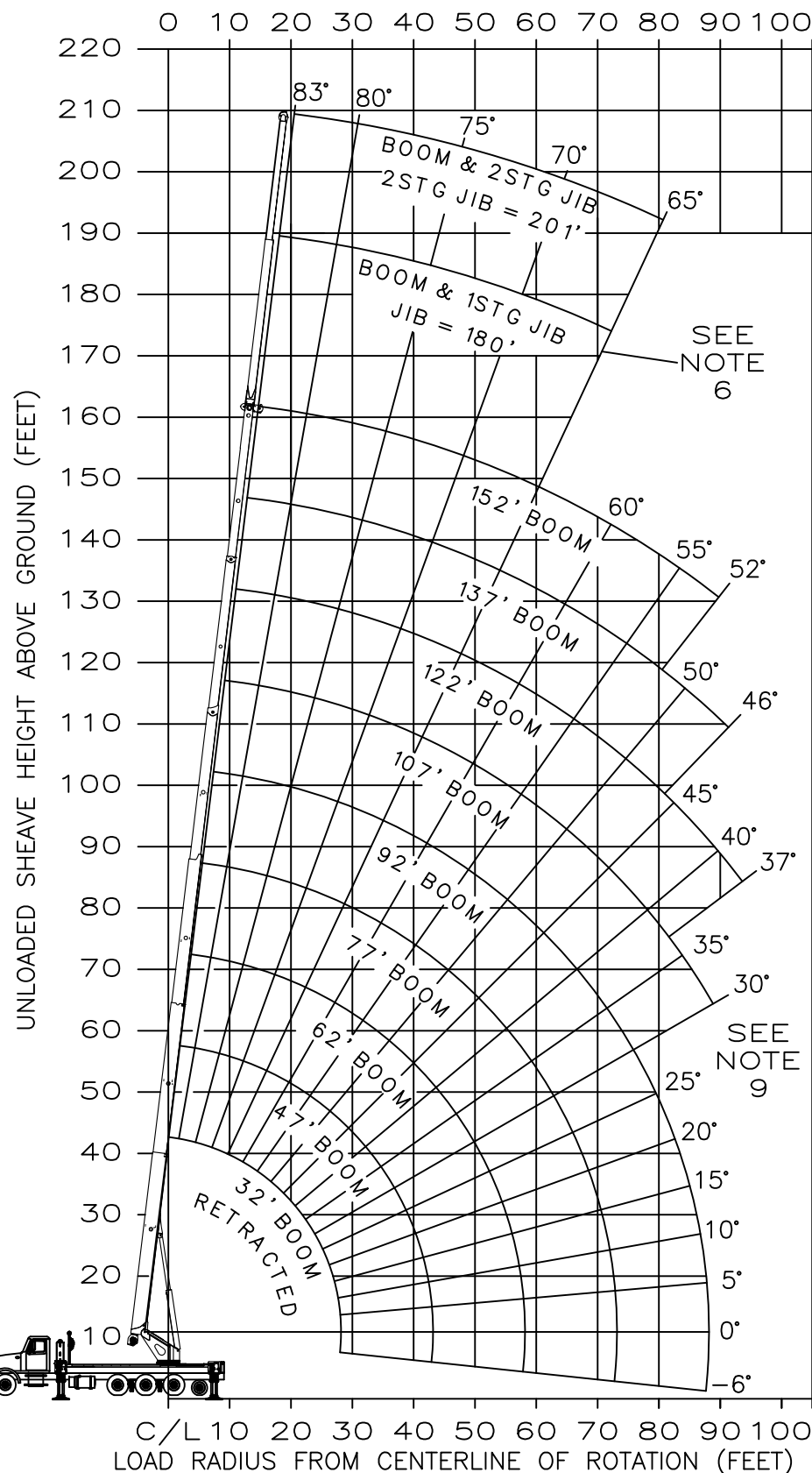
© 2015 Altec Inc
All Rights Reserved

Material and specifications are subject to change without notice. Featured units in photos may include optional features. Please contact an Altec representative for all available options. Charts published herein are intended to be a guide only and should not be construed to warrant application for lifting purposes. Consult supplied operation manual for further details.

Altec® and the Altec logo are registered trademarks of Altec Inc in the United States and various other countries and may not be used without permission.

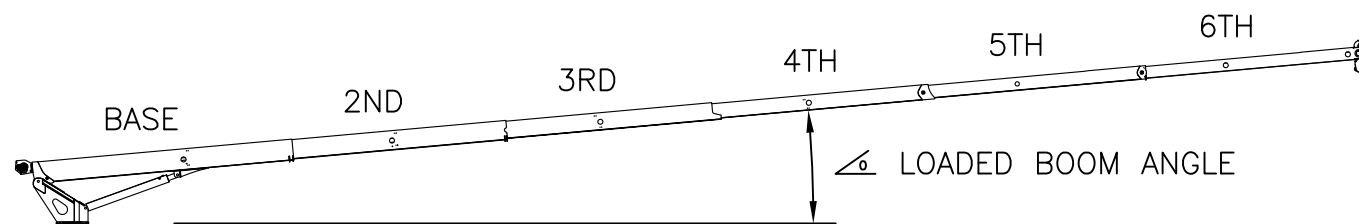


RANGE DIAGRAM - FULL SPAN OUTRIGGERS



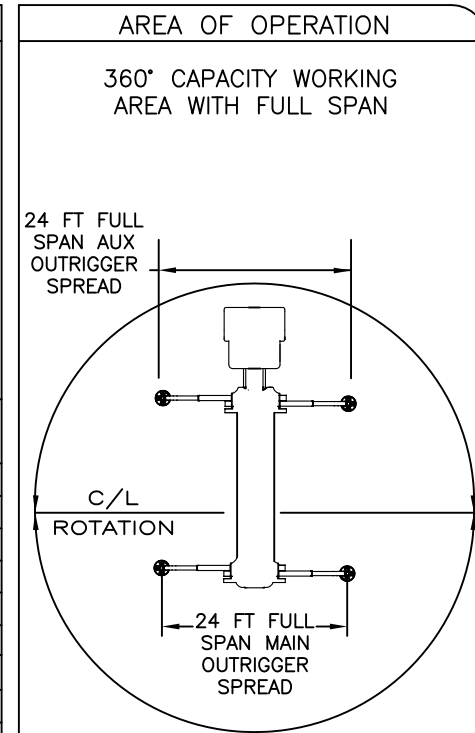
Atec MODEL: AC40-152S
Altec Industries Inc.

BOOM LOAD CAPACITIES IN LBS. WITH FULL SPAN OUTRIGGERS (24 FT)



LOAD RADIUS (FT)	32 FT BOOM		47 FT BOOM		62 FT BOOM		77 FT BOOM		92 FT BOOM		107 FT BOOM		122 FT BOOM		137 FT BOOM		152 FT BOOM	
	∠	LBS	∠	LBS	∠	LBS	∠	LBS	∠	LBS	∠	LBS	∠	LBS	∠	LBS	∠	LBS
7	72	80000	78	21100	81	21000												
8	70	75000	76	21100	80	21000												
10	66	66500	74	21100	78	21000	80	20900										
12	62	58550	71	21100	76	21000	79	20900	81	20800								
15	56	47700	67	21100	73	21000	77	20900	79	20800	82	17200						
20	43	29350	60	21100	68	21000	73	20900	76	20800	79	17200	81	14100	82	10000		
25	27	18050	53	21100	63	21000	69	20900	73	20400	76	15700	78	14100	80	10000	81	8000
30			44	18600	58	19100	65	19400	70	18900	74	13800	76	13000	78	10000	79	8000
35			34	14600	52	15200	61	15500	66	15700	71	11800	74	10800	76	10000	78	8000
40			20	11800	45	12400	56	12700	63	12800	68	10600	71	9900	74	9450	76	8000
45					38	10100	51	10400	59	10600	65	9600	69	9000	72	8500	74	8000
50					31	8250	47	8600	56	8800	62	8800	66	8200	70	7650	73	7050
55					19	6700	41	7100	52	7300	59	7400	63	7300	67	6650	70	6050
60							35	5500	47	5800	55	6000	61	6100	65	5800	68	5250
65							28	4200	43	4500	52	4700	58	4800	62	4900	66	4550
70							17	3200	38	3500	48	3600	55	3800	60	3900	64	3900
75									32	2600	44	2800	51	2900	57	3000	61	3100
80									25	1900	40	2100	48	2200	54	2300	59	2300
85									16	1200	35	1400	45	1600	51	1600	57	1700
90											30	900	41	1000	49	1100	54	1200
95													37	600	46	600	52	700
0		9400	0	8000	0	4700	0	2500	0	800								
		1130		790		600		480		400			350		300		270	240

NOTE: RATINGS ABOVE THE HEAVY LINE ARE BASED ON STRUCTURAL COMPETENCE AND NOT ON MACHINE STABILITY



- DEDUCTIONS FROM RATED LOADS FOR HANDLING DEVICES
- OVERHAUL BALL: 230 LBS
 - 1-SHEAVE LOADBLOCK: 360 LBS
 - 2-SHEAVE LOADBLOCK: 500 LBS
 - 3-SHEAVE LOADBLOCK: 600 LBS

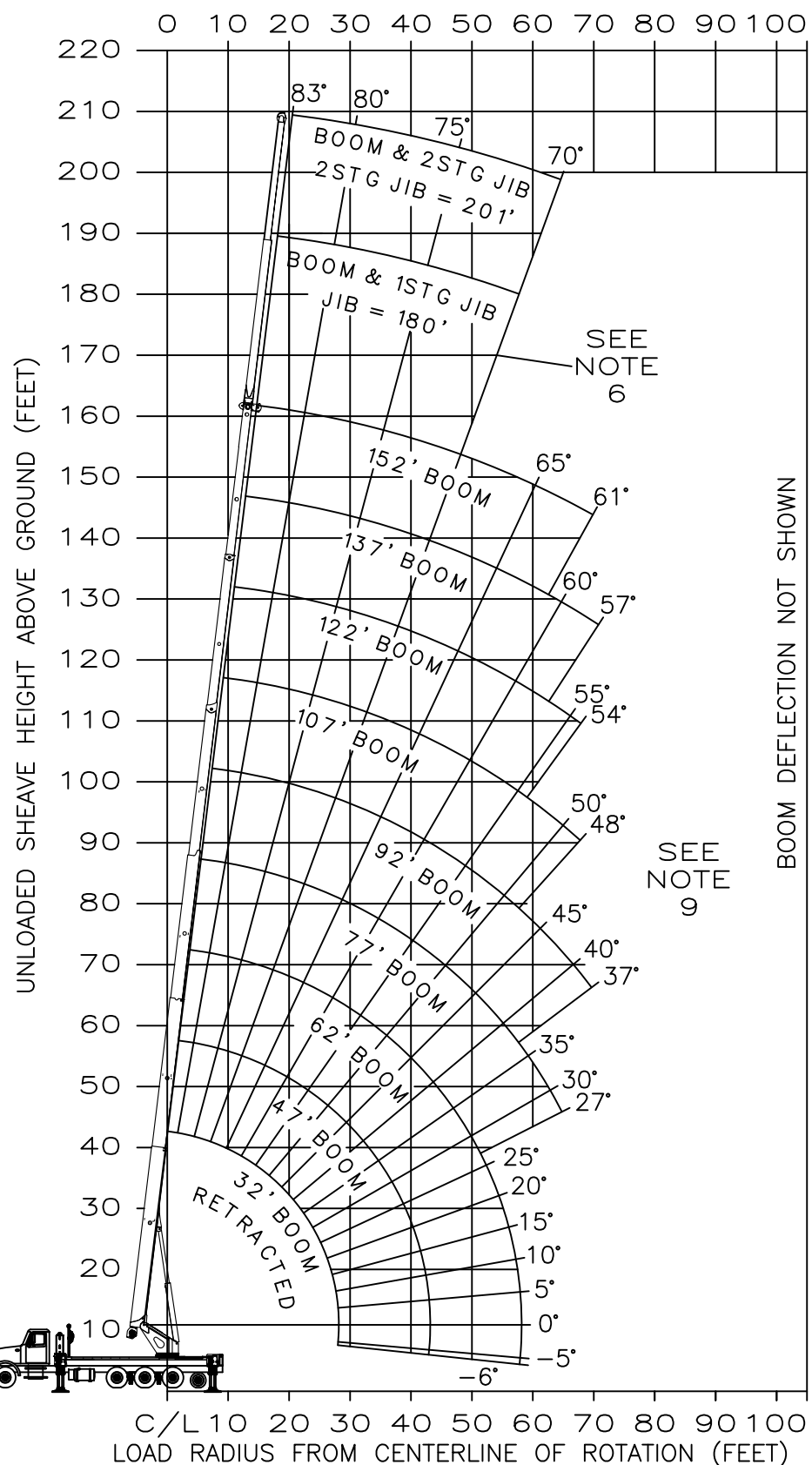
JIB LOAD CAPACITIES (LBS) FOR ALL BOOM LENGTHS. JIB CAPACITIES ARE FOR FULL SPAN OUTRIGGERS (24 FT)

LOADED BOOM ANGLE		65°*	70°	75°	80°	83°
TELESCOPING	RETRACTED 28 FT JIB	1700	3100	4000	4000	4000
	EXTENDED 49 FT JIB	1400	2600	2600	2600	2600

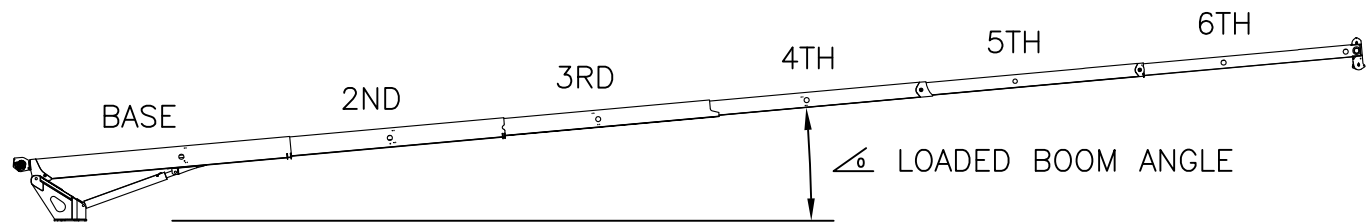
* DO NOT OPERATE JIBS BELOW THIS ANGLE UNLESS BOOM IS FULLY RETRACTED. SEE NOTE 6.

FULL SPAN OUTRIGGERS

RANGE DIAGRAM - MID SPAN OUTRIGGERS



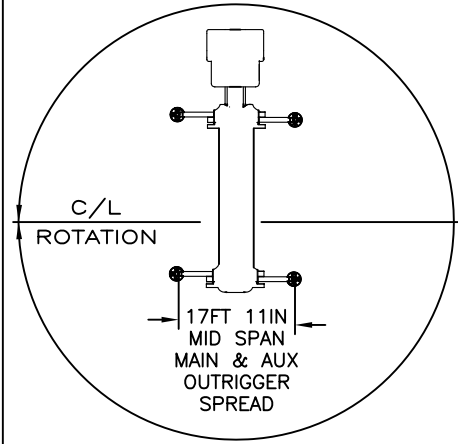
BOOM LOAD CAPACITIES IN LBS. WITH MID SPAN OUTRIGGERS (17 FT 11 IN)



LOAD RADIUS (FT)	32 FT BOOM		47 FT BOOM		62 FT BOOM		77 FT BOOM		92 FT BOOM		107 FT BOOM		122 FT BOOM		137 FT BOOM		152 FT BOOM	
	∠	LBS	∠	LBS	∠	LBS	∠	LBS	∠	LBS	∠	LBS	∠	LBS	∠	LBS	∠	LBS
7	72	80000	78	21100	81	21000												
8	70	75000	76	21100	80	21000												
10	66	66500	74	21100	78	21000	80	20900										
12	62	58550	71	21100	76	21000	79	20900	81	20800								
15	56	47850	67	21100	73	21000	77	20900	79	20800	82	17200						
20	43	29350	60	21100	68	21000	73	20900	76	20800	79	17200	80	14100	82	10000		
25	27	17550	53	19050	63	19750	69	20150	73	20400	76	15700	78	14100	80	10000	81	8000
30			44	12850	58	13450	65	13800	70	14050	74	13800	76	13000	78	10000	79	8000
35			34	9050	52	9650	61	10000	66	10200	71	10350	74	10500	76	10000	78	8000
40			20	6350	46	7000	56	7300	63	7550	68	7700	71	7800	74	7900	76	7950
45					39	5050	52	5400	59	5600	65	5750	68	5850	71	5950	74	6000
50					31	3600	47	3950	55	4150	62	4300	66	4400	69	4450	72	4550
55					19	2400	41	2800	51	3000	59	3150	63	3250	66	3300	69	3400
60							35	1850	47	2050	55	2200	60	2300	64	2400	67	2450
65							27	1100	42	1300	52	1450	57	1550	62	1650	65	1700
70									37	650	48	800	54	900	59	1000	63	1050
75															57	500	61	500
80																		
85																		
90																		
95																		
0		9400	0	4900	0	1700												
		1130		790		600		480		400		350		300		270		240

NOTE: RATINGS ABOVE THE HEAVY LINE ARE BASED ON STRUCTURAL COMPETENCE AND NOT ON MACHINE STABILITY

AREA OF OPERATION
 360° CAPACITY WORKING AREA WITH MID SPAN OUTRIGGERS



DEDUCTIONS FROM RATED LOADS FOR HANDLING DEVICES

- OVERHAUL BALL: 230 LBS
- 1-SHEAVE LOADBLOCK: 360 LBS
- 2-SHEAVE LOADBLOCK: 500 LBS
- 3-SHEAVE LOADBLOCK: 600 LBS

∠ 0° BOOM CAPACITIES
 STOWED JIB LOAD DEDUCTIONS
 ∠ TELESCOPIC JIB DEDUCTIONS

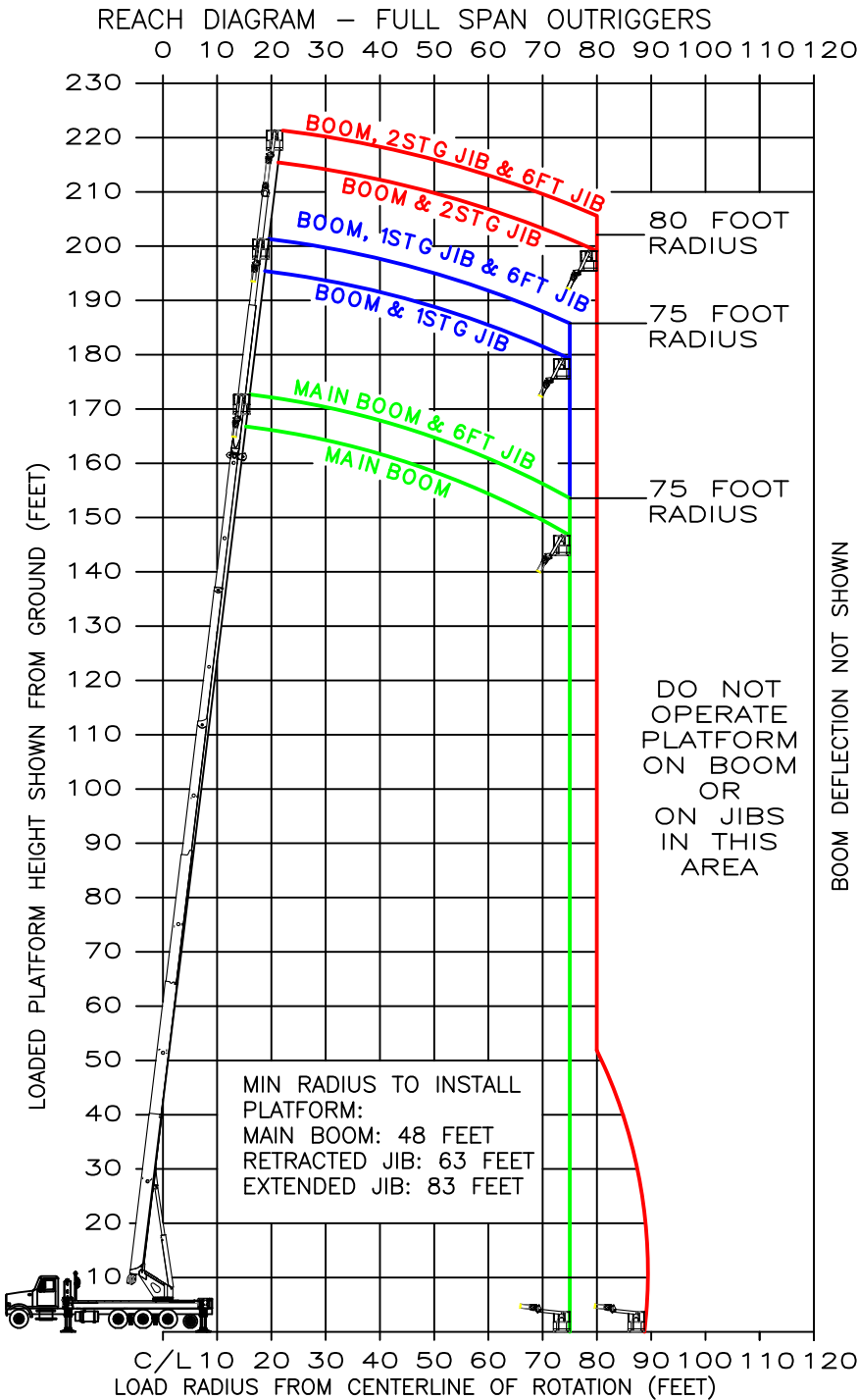
JIB LOAD CAPACITIES (LBS) FOR ALL BOOM LENGTHS. JIB CAPACITIES ARE FOR MID SPAN OUTRIGGERS (17 FT 11 IN)

LOADED BOOM ANGLE		70°*	75°	80°	83°
TELESCOPING	RETRACTED 28 FT JIB	1300	3900	4000	4000
	EXTENDED 49 FT JIB	1000	2600	2600	2600

* DO NOT OPERATE JIBS BELOW THIS ANGLE UNLESS BOOM IS FULLY RETRACTED. SEE NOTE 6.



AERIAL OPERATION—BOOM & JIBS
MODEL AC40-152S



NON-INSULATED
PLATFORM
ASSEMBLY

FOR USE WITH ALTEC PLATFORM ASSEMBLY PART NUMBER 970420841 ONLY.

ONLY FOR USE ON ALTEC AC40-152S.

DO NOT OPERATE THE PLATFORM IN WINDS IN EXCESS OF 20 MPH AT PLATFORM WORKING HEIGHT.

PLATFORM ASSEMBLY WEIGHT = 649 LBS.

PLATFORM LOAD CAPACITY = 1200 LBS.

LOAD LINE MUST BE STOWED AT WINCH WHEN UNIT IS OPERATED IN AERIAL MODE.

ANSI/SIA A92.2 COMPLIANT

ALTEC INDUSTRIES
325 SOUTH CENTER DRIVE
DALEVILLE, VA 24083

MFG. DATE __mo/20__yr

970511217 B